

Панта HODOR

Приложение:

Чепова панта открит кант. Горна & долна панта.
Със стоп функция. Необходим отвор в стъклото.
Реглаж на ъгъла посредством уплътненията.
160 градуса отваряне.

Дебелина на дъното от 10 мм.

Материал: Алуминий – хром или черен мат

Размер: 45 x 85 x 43 мм (W/L/H)

Дебелина врата (стъкло): 8 – 12 мм

Отвор: Ø 12 мм

Максимална товароносимост: 38 кг на врата.

Максимален размер врата: 600 x 2000 x 12 мм (W/H/T)



TÜV Approved
EN 15570:2008
80.000 Cycles

1 к-т= 1 горна + 1 долна панти

Код No.:

Хром # 15.06.080 **57,02 лв с ДДС**

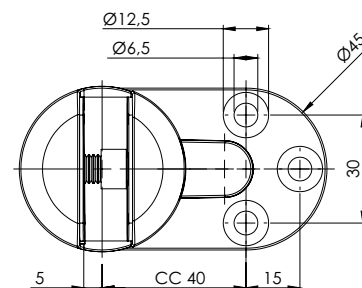
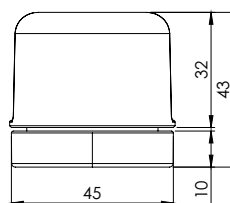
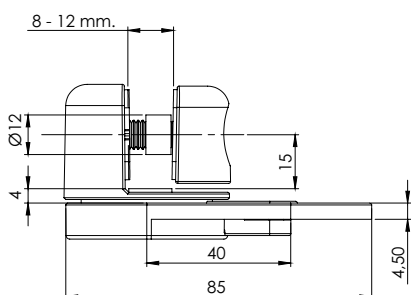
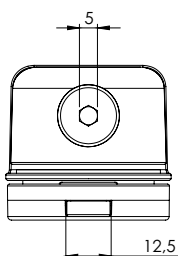
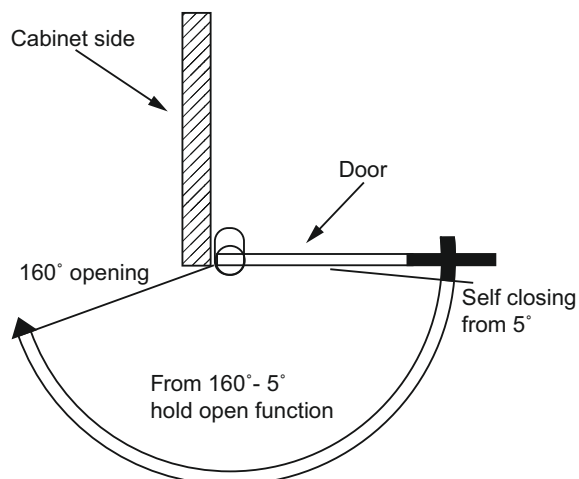
Черен мат # 15.06.082 **70,97 лв с ДДС**

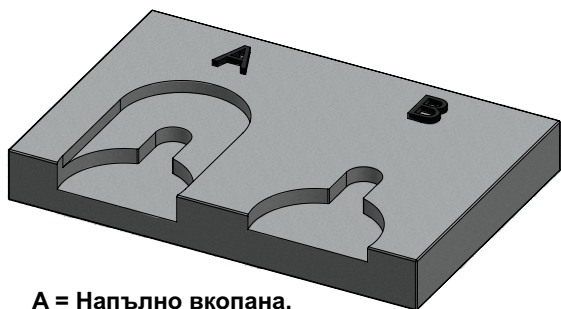


Включени 6 CSK стоманени винта Ø6 x 18 мм, 4 безцветни

PVC уплътнения по 1 мм & 2 черни PA

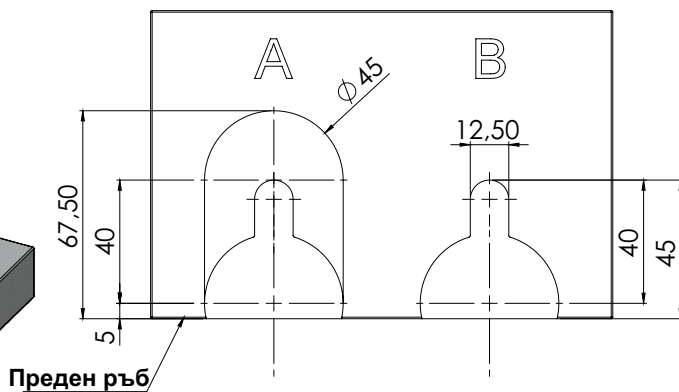
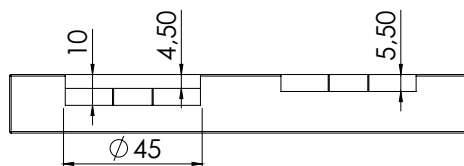
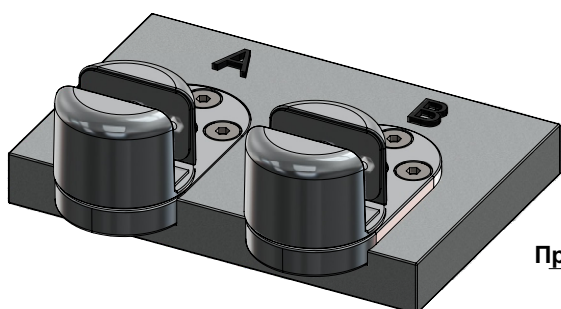
за реглажа на позицията на затваряне.



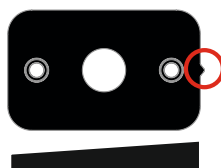
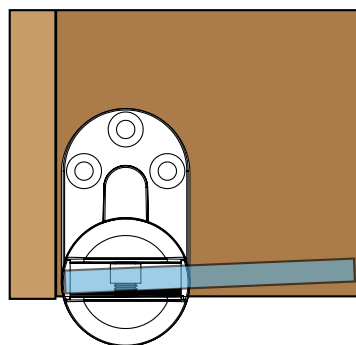
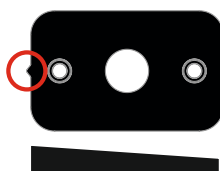
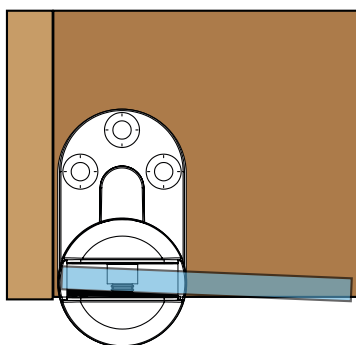


A = Напълно вкопана.

B = Издадена 4,5 мм



Реглаж на позицията посредством уплътненията.



Панти за стъкло и плоскости EASY

Панта "Easy", високо рамо, хром/черна, отваряне 180DG, за стъкло 8-10 мм или 14-16 мм панел, със стопер, тяло от цам & ос от неръждаема стомана, включени 4 евро винта $\varnothing 6,3 \times 10$ мм + 2 стоманени винта $3,5 \times 10$ мм & 2 бели или черни РА6 уплътнения - 1 мм

Панта хром, за панел 8-10 мм, **ког: 15.04.105-0 - 13,00 лв с ДДС**

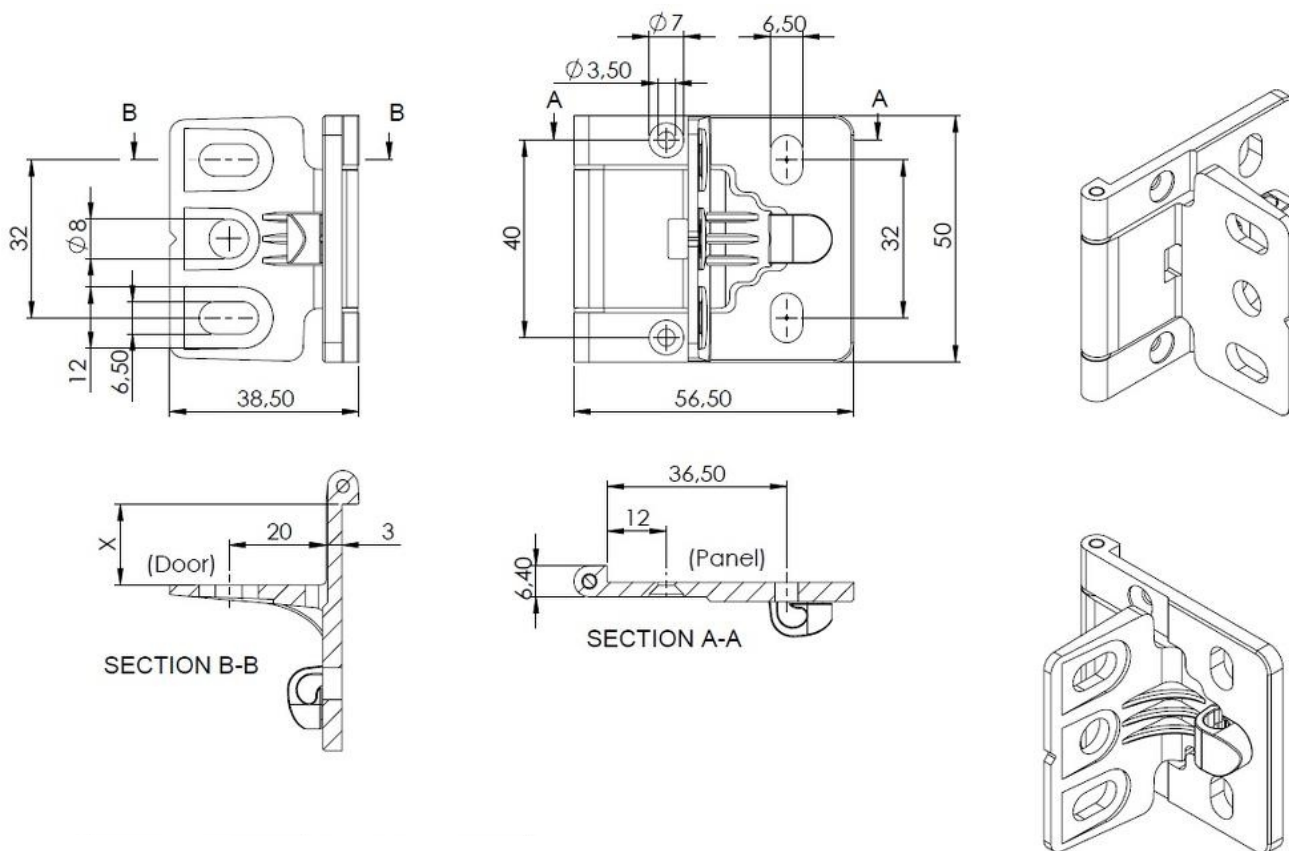
Панта хром, за панел 14-16 мм, **ког: 15.04.110-0 - 13,00 лв с ДДС**

Панта черна, за панел 8-10 мм, **ког: 15.04.106-0 - 14,00 лв с ДДС**

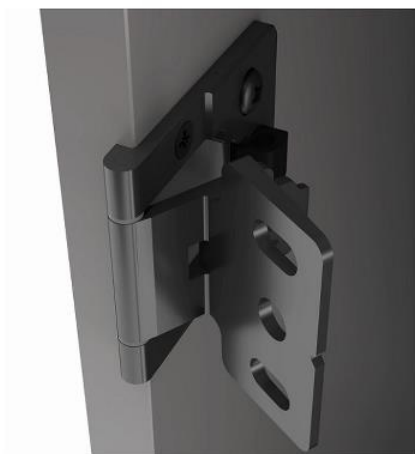
Панта черна, за панел 14-16 мм, **ког: 15.04.111-0 - 13,00 лв с ДДС**

Филм за панта EASY:

<https://youtu.be/x1bvdeev1K0>



Панти за стъкло и плоскости EASY



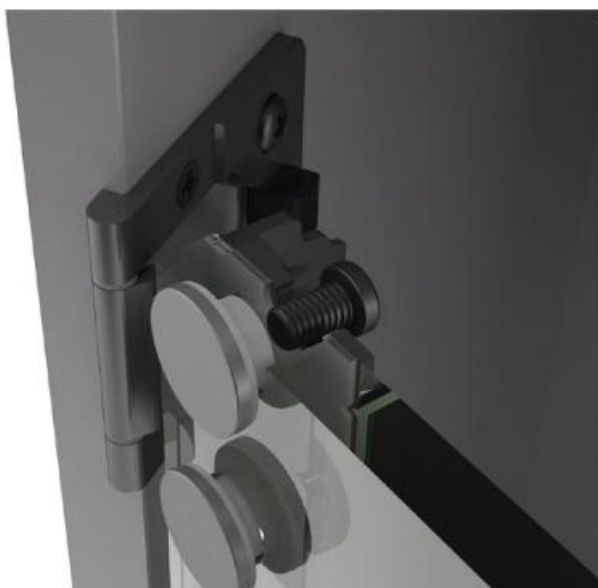
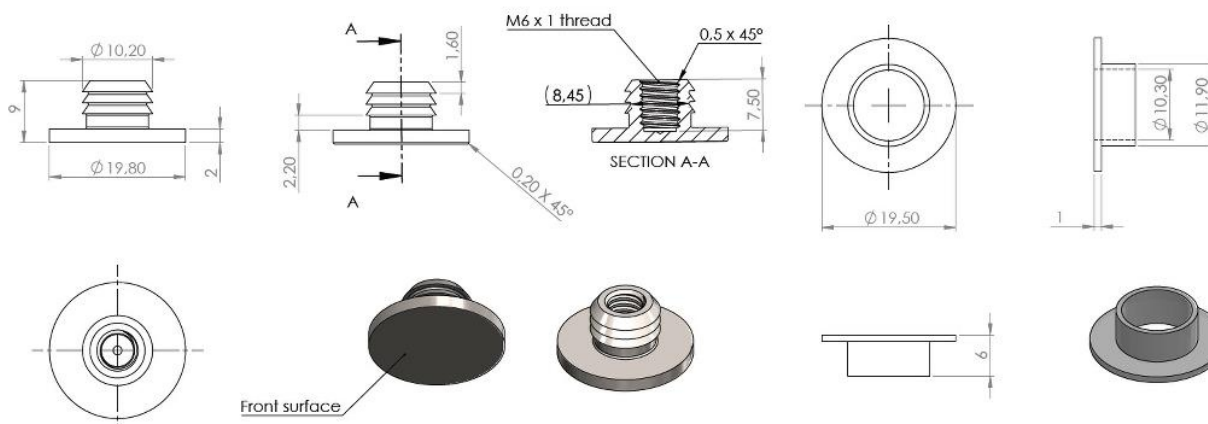
Фиксиращи тапи за панти EASY

Тапи за закрепване на панта "Easy" комплект 2 броя, за плоскост или стъкло, стомана 304 - черна или грана, отвор М6, р-р $\varnothing 20 \times 9$ мм, включено пластмасово уплътнение - черна/бяла ПВХ, разпробиване: $\varnothing 12$ мм



Фиксиращи тапи от стомана, грана, **ког: 15.04.120-0 - 7,78 лв с ДДС**

Фиксиращи тапи от стомана, черна, **ког: 15.04.121-0 - 7,78 лв с ДДС**



Предни капачки за стъкло за панти EASY

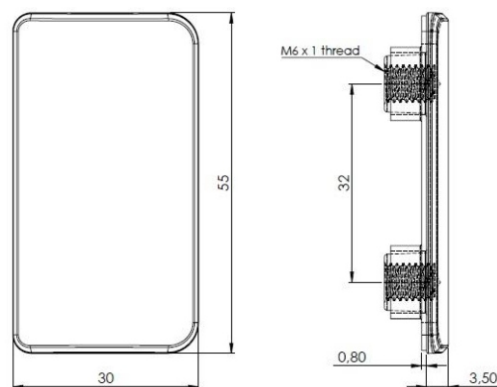
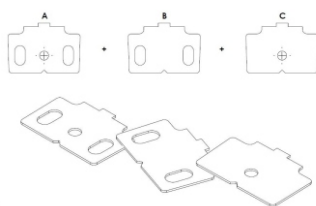
Предна капачка за панта "Easy",
за стъклена врата, цам, р-р 55x30 мм,
хром или черна, вкл. 2 РН винта М6х10 мм,
2 РН винта М6х16 мм и 1 бяло/черно
уплътнение РА6 - 0,8 мм

Предна капачка, хром - **ког: 15.04.125-0 - 7,78 лв с ДДС**

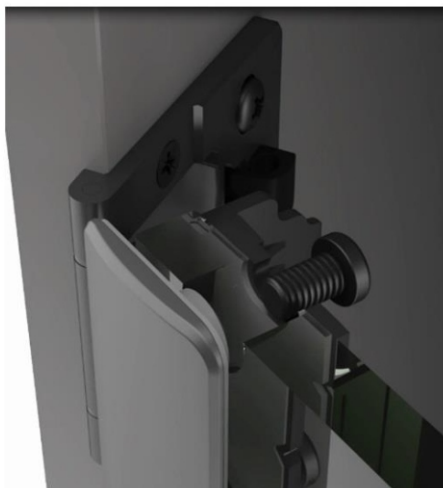
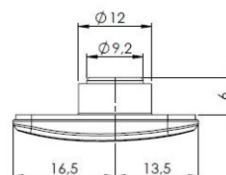
Предна капачка, черна - **ког: 15.04.126-0 - 7,78 лв с ДДС**



Комплект уплътнения EASY - **ког: 15.04.123-0 - 1,62 лв с ДДС**

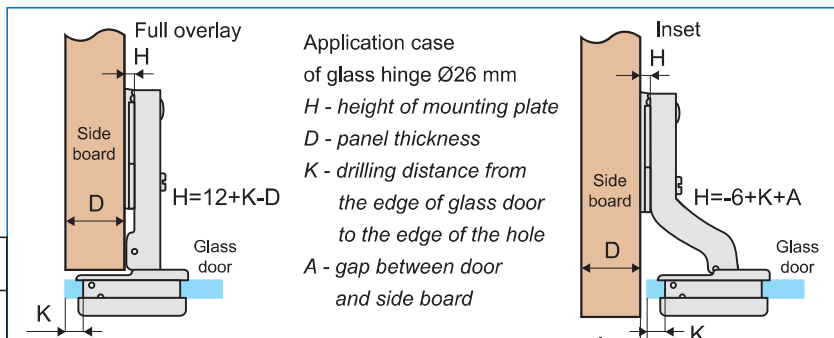


Комплект уплътнители, за капачка за закрепване,
на панти "Easy", за стъклена врата,
черно РА3 - различни уплътнения
използват се за по-добра визия през стъклото



AUTOMATIC GLASS DOOR HINGE WITH DOUBLE SPRING ACTION

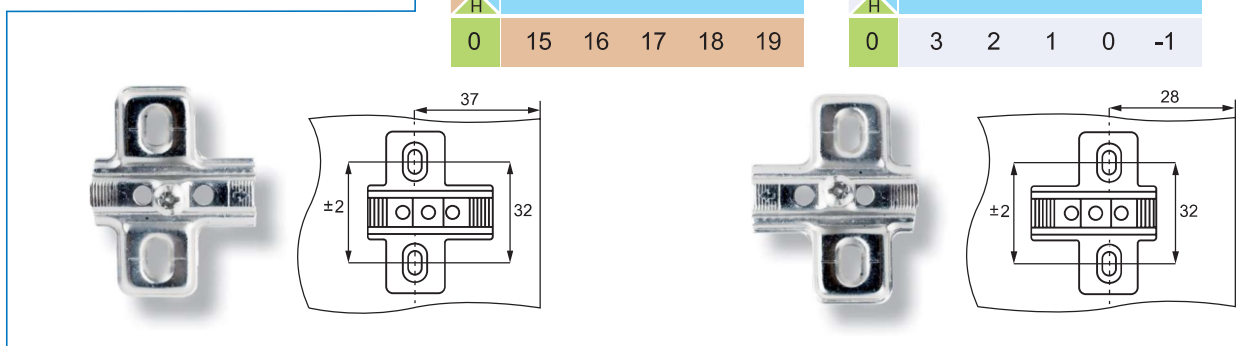
Opening angle: 92°
 Glass door drilling:
 26 mm for glass thickness 4 to 6 mm
 Supplied complete with wing mounting plate.
 Steel nickel pl. 3 mm distance for chipboard screw attachment housing: plastic black
 Hingearm keyhole type, steel nickel pl.



15.01.700-0	ниско рамо	2,72 лв
15.01.710-0	високо рамо	2,72 лв

D	K	3	4	5	6	7	
H		0	15	16	17	18	19

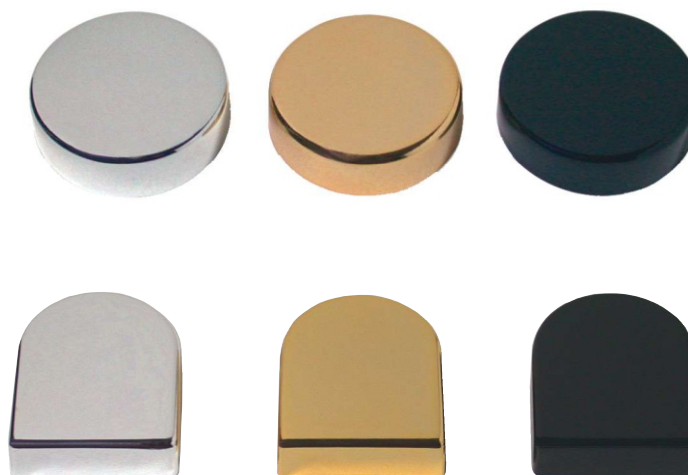
A	K	3	4	5	6	7	
H		0	3	2	1	0	-1



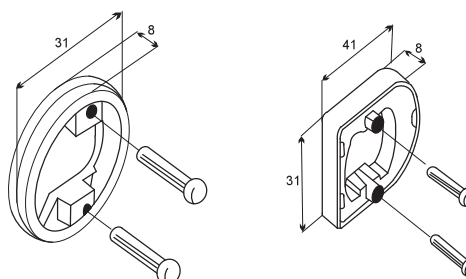
COVER CAPS FOR HINGE "MINI"

FRONT COVER PLASTIC

15.02.720-1	кръгла хром	1,07 лв
15.02.721-0	кръгла злато	1,07 лв
15.02.722-0	кръгла черно	1,07 лв
15.02.723-0	кръгла, алум.	1,22 лв
15.02.724	кръгла, мат ник	1,07 лв /по заявка/



15.02.730-1	овал, хром	0,94 лв
15.02.731-1	овал, злато	1,10 лв
15.02.732-0	овал, черно	0,94 лв
15.02.733-0	овал, алум.	0,94 лв
15.02.734	овал, мат ник	0,94 лв/по заявка/



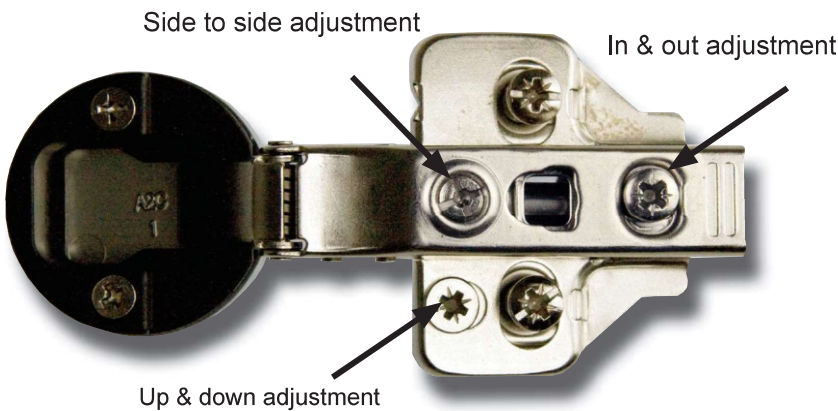
SOFT CLOSE MINI GLASS DOOR HINGE Ø 26 MM - 95°



Standard model

**SOFT CLOSE
LIP-ON
F/ 4-6 MM GLASS
Ø 26 MM**

Hinge w/mounting plate f/easy up & down adjustment (optional)

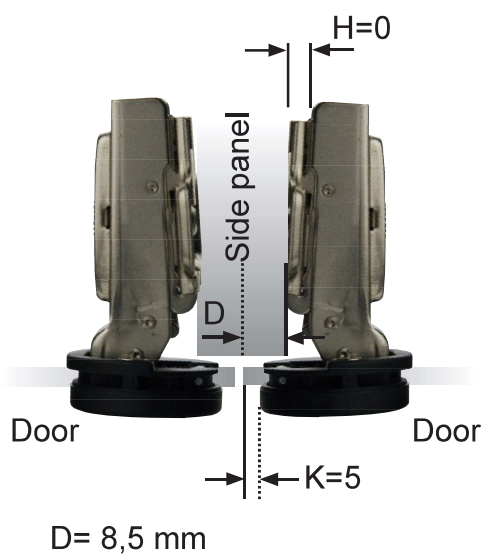


- H = height of mounting plate
- D = required door overlay
- K = drilling distance from the edge of door to the edge of the cup hole
- A = gap between door and sidepanel

Ниско рамо (A)
15.01.720-0 - 8,04 лв

Средно рамо (B)
15.01.721-0 - 8,04 лв

Високо рамо (C)
15.01.722-0 - 8,04 лв


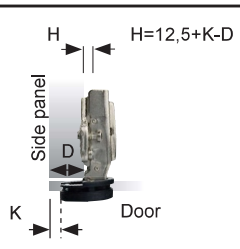

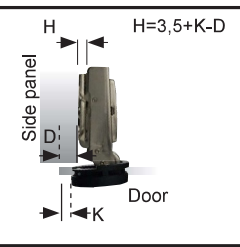
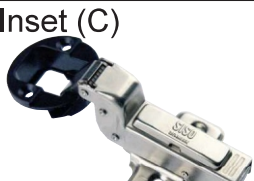
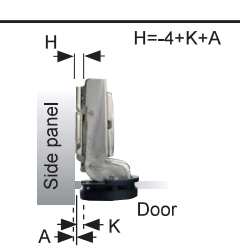

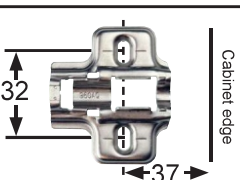

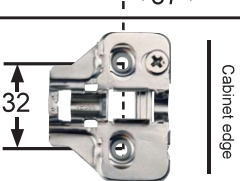






SOFT CLOSE MINI GLASS DOOR HINGE Ø 26 MM - 95°

Opening angle: 95°
 Depth of hinge cup: 10,6 mm
 Diameter of hinge cup: 26 mm
 Possible drilling distances on the glass door (K): 4-7 mm
 Glass door thickness: 4-6 mm

Cup drawing



Steel - Nickel Plated		Item No.	D: Overlay calculations	A: Gap calculations																
Full overlay (A) 		15.01.720 Incl. SISO name plate + mounting plate H = 0	<table border="1"> <tr> <th>D \ K</th> <th>3</th> <th>4</th> <th>5</th> </tr> <tr> <th>0</th> <td>15,5</td> <td>16,5</td> <td>17,5</td> </tr> <tr> <th>2</th> <td>13,5</td> <td>14,5</td> <td>15,5</td> </tr> <tr> <th>4</th> <td>11,5</td> <td>12,5</td> <td>13,5</td> </tr> </table>	D \ K	3	4	5	0	15,5	16,5	17,5	2	13,5	14,5	15,5	4	11,5	12,5	13,5	
D \ K	3	4	5																	
0	15,5	16,5	17,5																	
2	13,5	14,5	15,5																	
4	11,5	12,5	13,5																	
Half overlay (B) 		15.01.721 Incl. SISO name plate + mounting plate H = 0	<table border="1"> <tr> <th>D \ K</th> <th>3</th> <th>4</th> <th>5</th> </tr> <tr> <th>0</th> <td>6,5</td> <td>7,5</td> <td>8,5</td> </tr> <tr> <th>2</th> <td>4,5</td> <td>5,5</td> <td>6,5</td> </tr> <tr> <th>4</th> <td>2,5</td> <td>3,5</td> <td>4,5</td> </tr> </table>	D \ K	3	4	5	0	6,5	7,5	8,5	2	4,5	5,5	6,5	4	2,5	3,5	4,5	
D \ K	3	4	5																	
0	6,5	7,5	8,5																	
2	4,5	5,5	6,5																	
4	2,5	3,5	4,5																	
Inset (C) 		15.01.722 Incl. SISO name plate + mounting plate H = 0	<table border="1"> <tr> <th>A \ K</th> <th>3</th> <th>4</th> <th>5</th> </tr> <tr> <th>0</th> <td>1</td> <td>0</td> <td>-1</td> </tr> <tr> <th>2</th> <td>3</td> <td>2</td> <td>1</td> </tr> </table>	A \ K	3	4	5	0	1	0	-1	2	3	2	1					
A \ K	3	4	5																	
0	1	0	-1																	
2	3	2	1																	
		H = 0 f/chipboard screws Clip-on	Delivered as standard mounting plate with all hinges. Chipboard screws to be ordered separately.																	
		15.03.728-0 H = 0 f/euro screws Clip-on	To be ordered separately if easy up & down adjustment is wanted. Pre-mounted euro screws included.																	
		15.01.831, ABS Alu plated cover																		
Хром 15.01.830-0 - 1,56 лв			Хром 15.01.820-0 - 1,56 лв Алуминий 15.01.821-0 - 1,56 лв																	

GLASS DOOR HINGES "SMART-92" WITH FRONT COVER

GLASS DOOR HINGE „SMART-92“

Application

For inset doors. Ideal for furniture where only a very narrow wooden side-wall/pole is available. Direct fixing to side-wall/pole without any mounting plate

Mounting

Glass door drilling: $\varnothing 26$ mm
Glass thickness: 4-6 mm C.C. 32 mm

Material

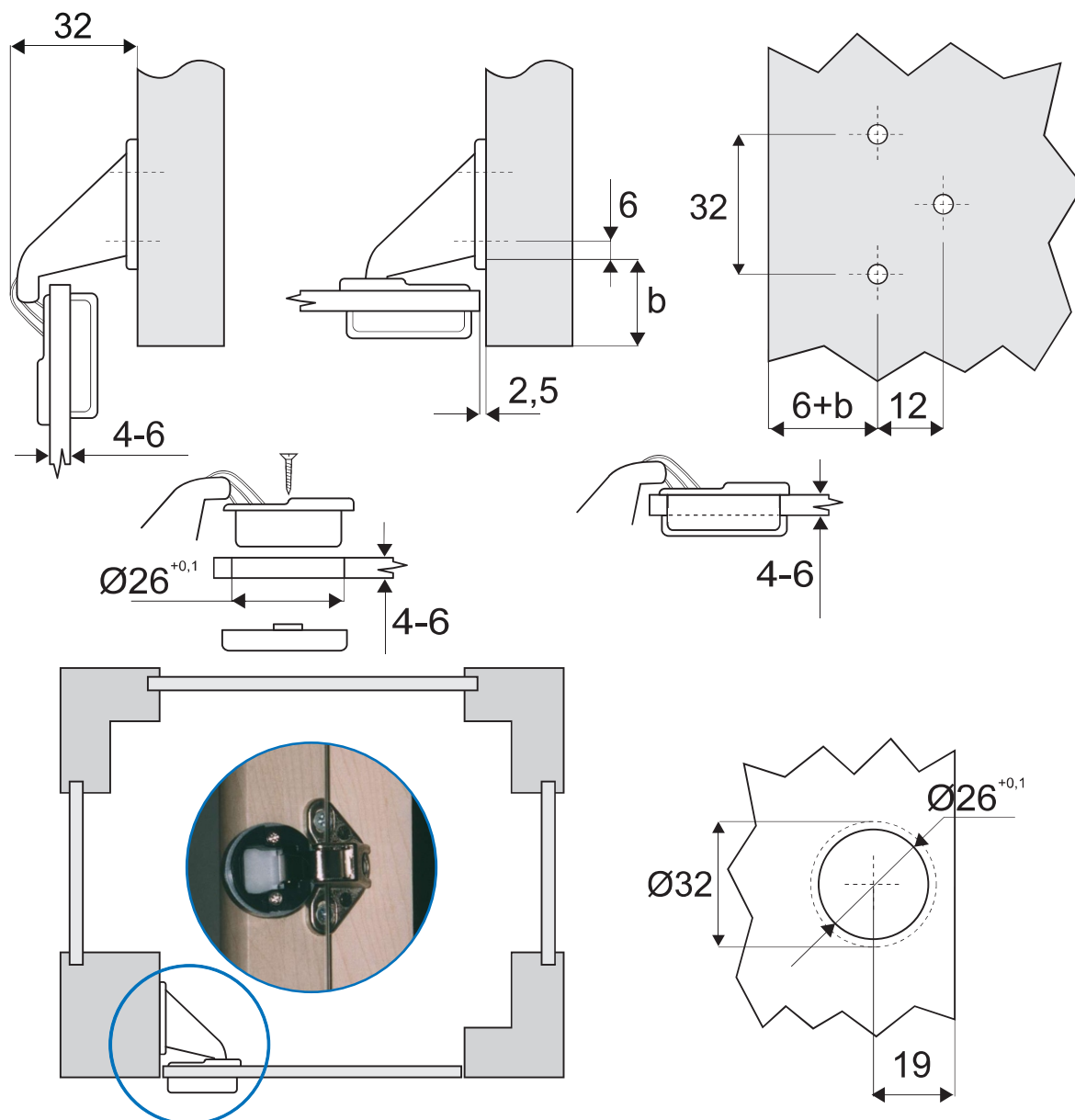
Hinge arm: Zamak, nickel plated
Hinge cup: Black plastic



15.01.000-	4,80 лв
------------	---------

Plastic cover cap $\varnothing 32$ mm

15.01.050-0 - алум.	2,59 лв
---------------------	---------



GLASS DOOR HINGES F/DRILLING

GLASS DOOR HINGE „NICE“

Function: Inset doors,
w/catch function,
height adjustable

Material: Brass, chrome plated

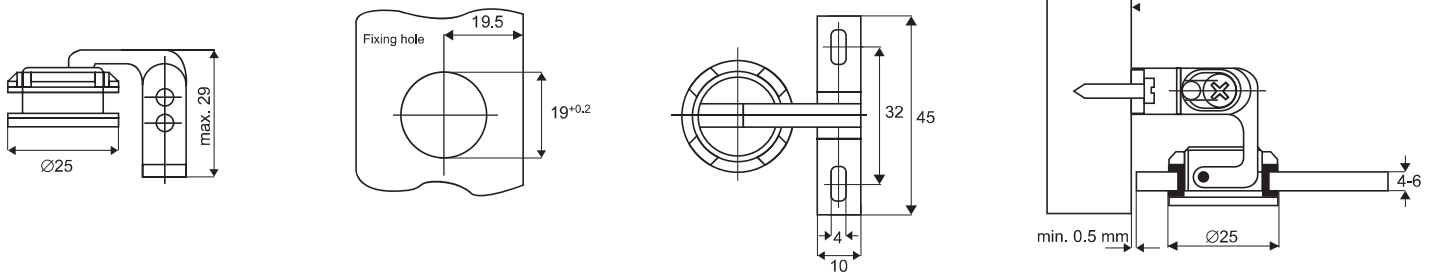
Glass thickness: 4-6 mm

Opening angle: 105 degree

Drilling: Ø19 mm



15.06.450-0	17,83 лв
-------------	----------



GLASS DOOR HINGE „ELEGANT“

Function: Inset doors

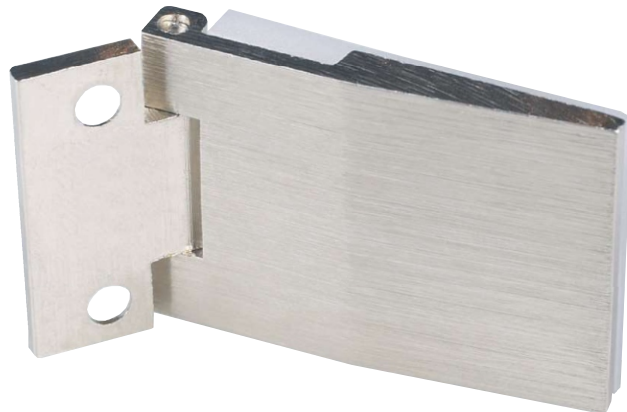
Material: Brass - brushed nickel

Glass thickness: 6 mm

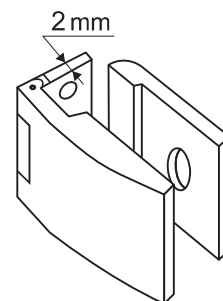
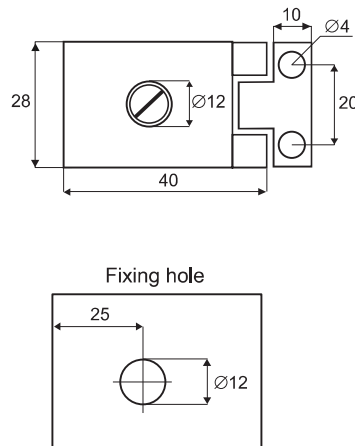
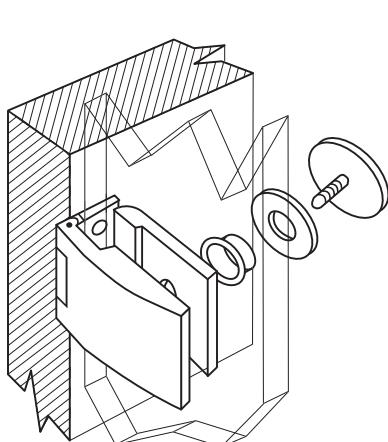
Opening angle: 270 degree

Drilling: Ø 12 mm

Item No.: # 15.06.461



15.06.461-0	22,51 лв
-------------	----------



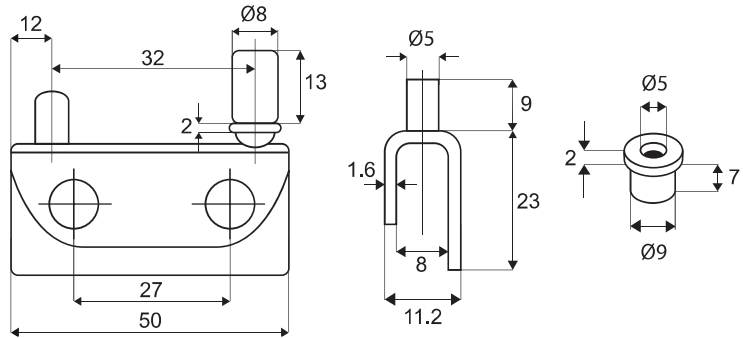
GLASS DOOR HINGE 11.300

Material: Steel **Ког** Цена в лв с ДДС
 Chrome plated # 15.06.036 - 8,04
 Black anodized # 15.06.037
 Alu finish # 15.06.038

Mounting:
 Top + Bottom
 Inset Doors, max 4-6 mm
 Complete with nylon bushing & POM screws w/soft tip

Front plate:
 Size: 50 x 23 mm

Optional, to be ordered separately
BALL CATCH # 15.06.076 - 1,94
 Material: Brass
 Size: Ø 8 mm x 13 mm



GLASS DOOR HINGE 11.561

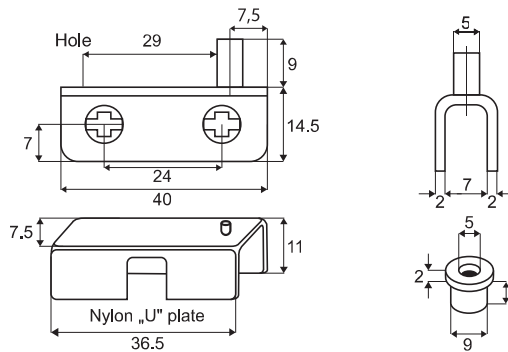
Material: Steel

15.06.096	хром	4,04 лв
15.06.095	черно	3,89 лв
15.06.098	алуминий	4,92 лв

Mounting:
 Top + Bottom
 Inset Doors, max 5 mm
 Complete with nylon bushings, steel screws & sleeve

Front plate:
 Size: 40 x 14,5 mm

Optional, to be ordered separately
BALL CATCH # 15.06.076 - 1,94
 Material: Brass
 Size: Ø 8 mm x 13 mm



GLASS PIVOT HINGE “BRASS”

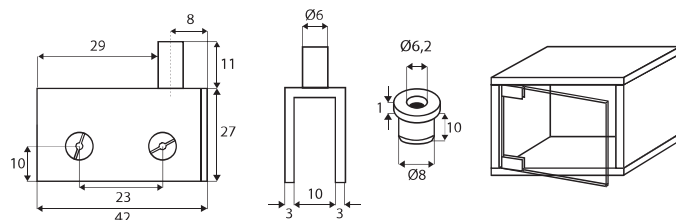
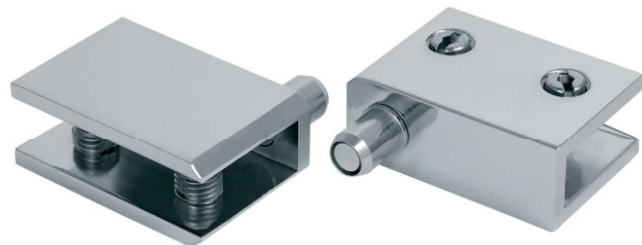
Mounting: Inset doors.
 Complete with brass bushings & softtip screws

Material: 3 mm brass

Hinge size: 42 x 27 x 16 mm (W/H/D)

Bushing size: Ø 8 x 11 mm

Glass thickness: 4 - 8 mm



15.06.070	хром	35,64 лв
-----------	------	----------

GLASS PIVOT HINGES "STAINLESS STEEL" - NO DRILLING

MODEL "SMALL"

Mounting:

Inset doors. Complete with brass bushings & soft tip screws

Material:

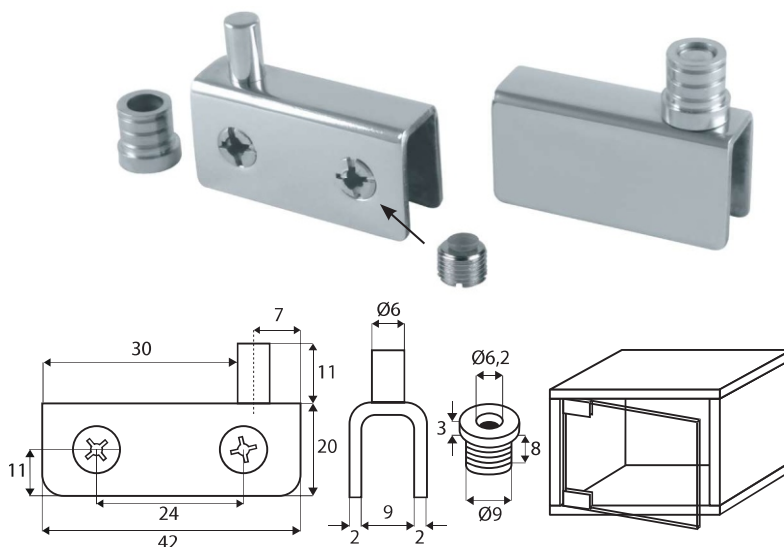
2 mm stainless steel, polished

Hinge size: 42 x 20 x 13 mm
(W/H/D)

Bushing size: Ø9 x 8 mm

Glass thickness: 6 mm

15.06.060	18,41 лв
-----------	----------



MODEL "MEDIUM"

Mounting:

Inset doors. Complete with brass bushings & soft tip screws

Material:

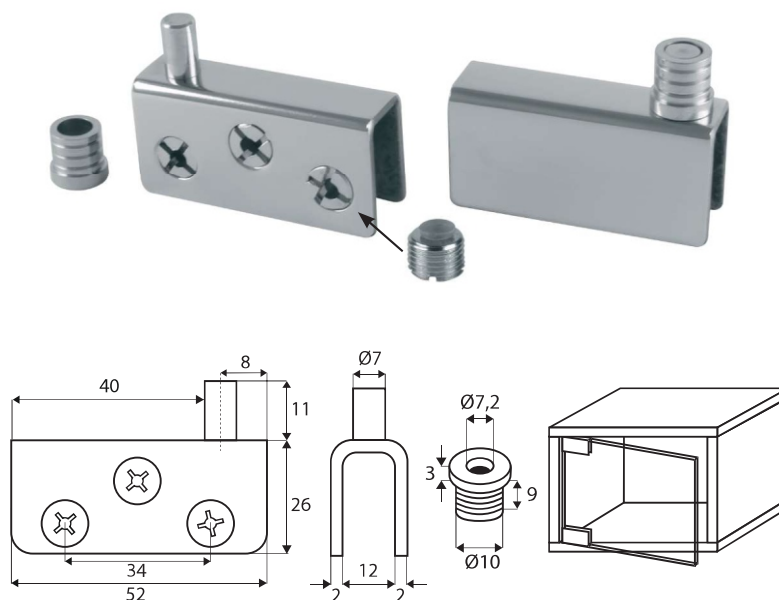
2 mm stainless steel, polished

Hinge size: 52 x 26 x 16 mm
(W/H/D)

Bushing size: Ø10 x 9 mm

Glass thickness: 8 mm

15.06.062	19,44 лв
-----------	----------



MODEL "LARGE"

Mounting:

Inset doors. Complete with brass bushings & soft tip screws

Material:

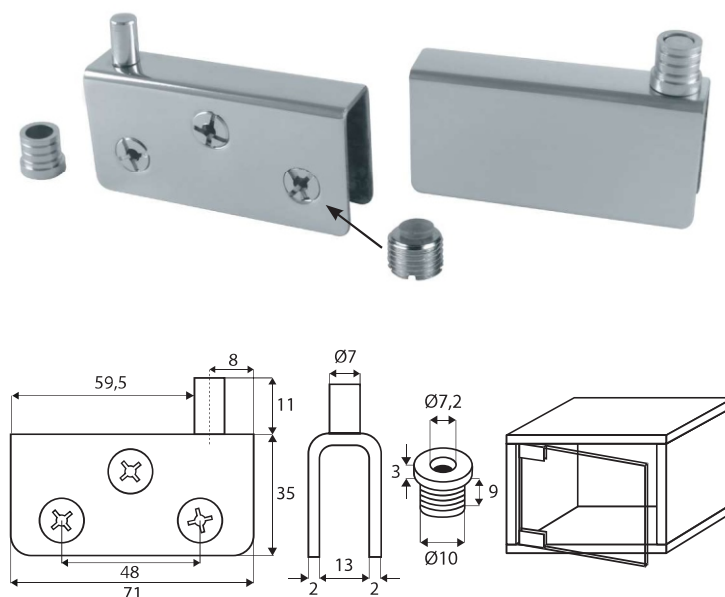
2 mm stainless steel, polished

Hinge size: 71 x 35 x 17 mm
(W/H/D)

Bushing size: Ø10 x 9 mm

Glass thickness: 10 mm

15.06.064	20,74 лв
-----------	----------



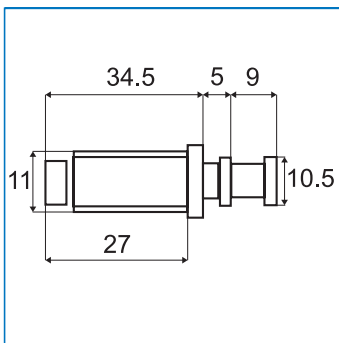
MAGNETIC TOUCH LATCHES

MAGNETIC TOUCH LATCH

Knock in type
- No striker included

Finish: Black Plastic # 22.01.095
Bore: Ø 11 x 38 mm **0,65 лв с ДАС**

Packing
350 pcs per box
2800 pcs per export carton

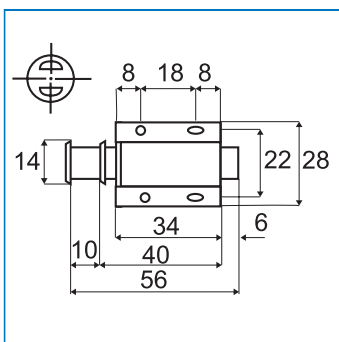


MAGNETIC TOUCH LATCH - SINGLE

Screw on - No striker included
- round type

Finish: black plastic # 22.01.070
Fixation: c.c. 22 mm **1,30 лв с ДАС**

Packing
250 pcs per box
1000 pcs per export carton

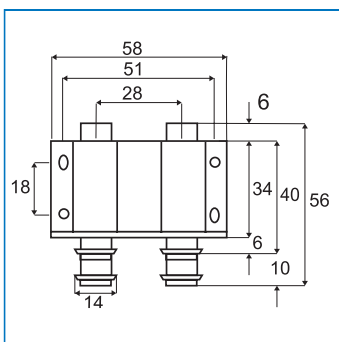


MAGNETIC TOUCH LATCH - DOUBLE

Screw on - no striker included
- round type

Finish: black plastic # 22.01.088
Fixation: c.c. 18 mm/51 mm **2,40 лв с ДАС**

Packing
500 pcs per box

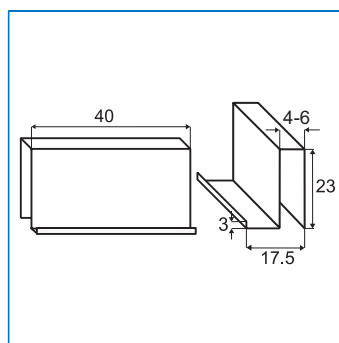


CATCH PLATE - GLASS

with Handle & Pad
Size: 23 x 40 mm
4-6 mm glass thickness

Material: Steel
Chrome plate # 22.03.015 **3,24 лв с ДАС**
Black anodized # 22.03.016 **2,16 лв с ДАС**

Packing
200 pcs per box
1000 pcs per export carton

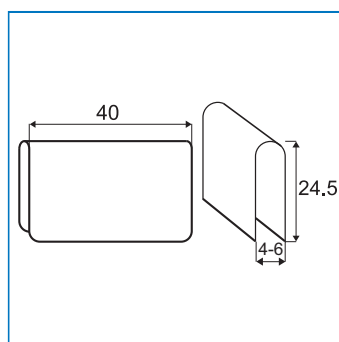


CATCH PLATE - GLASS

With Pad
Size: 40 x 25 mm
4-6 mm glass thickness

Material: Steel
Black anodized # 22.03.111 **2,59 лв с ДАС**
Chrome plated # 22.03.115

Packing
200 pcs per box
1000 pcs per export carton



MAGNET TOUCH LATCH "SLIM" W/STRIKER

Application: Push-to-open touch latch for doors and drawers with magnet & striker. Suitable for wood & glass fronts

Material: Black ABS, White ABS, Grey ABS RAL 7040

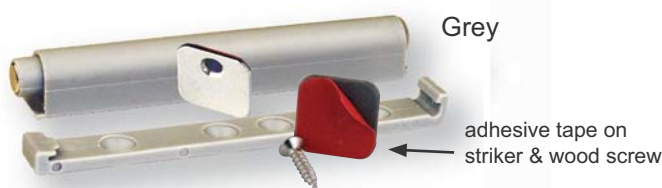
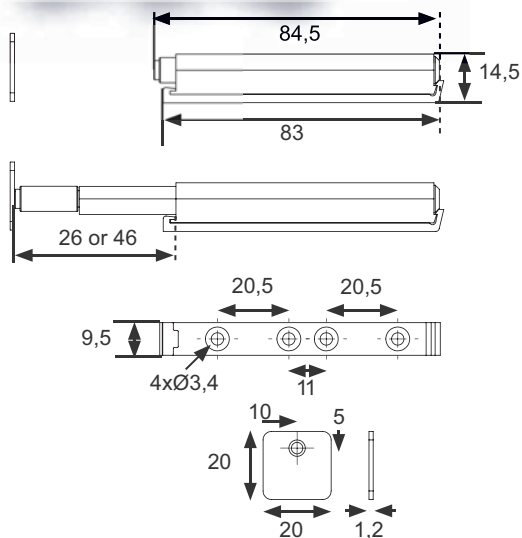
Overall size: 84,5 mm x 14,5 mm

Extended: 105 mm

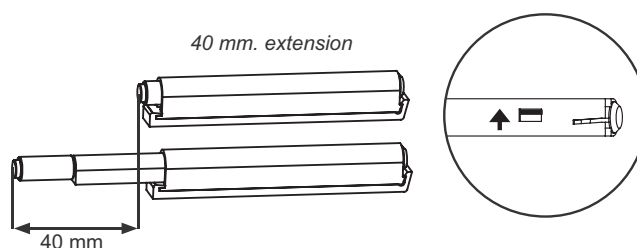
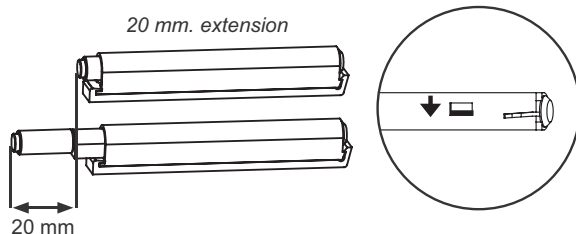
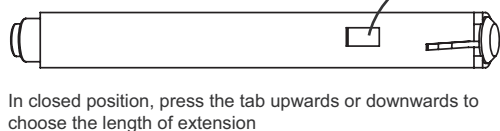
Item No.: # 22.01.104 (White)
 # 22.01.105 (Black) **2,92 лв с ДДС**
 # 22.01.106 (Grey) **2,92 лв с ДДС**

Incl. Steel striker 20 x 20 mm with adhesive tape for glass fixing & screw hole for wood fixing.

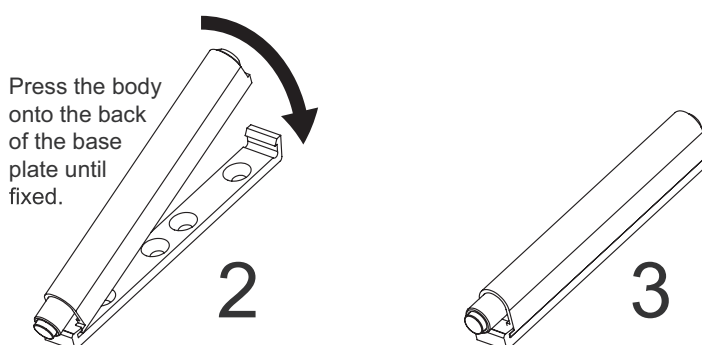
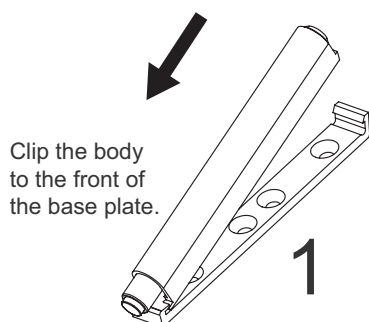
Screws to be ordered separately



CHANGE OF EXTENSION LENGTH



Mounting of latch



GLASS DOOR HINGES - NO DRILLING

SS-304 GLASS DOOR HINGE „GRACE“ F/5-8,76 MM GLASS

Mounting:

Glass: Ø 10 mm boring holes
Wood: 7 x 4 mm screw holes

Material:

Stainless steel 304
- polished

Hinge size:

52 x 31 13 mm (H/W/D)

Glass thickness:

5-8,76 mm

Max door size:

650 x 900 mm

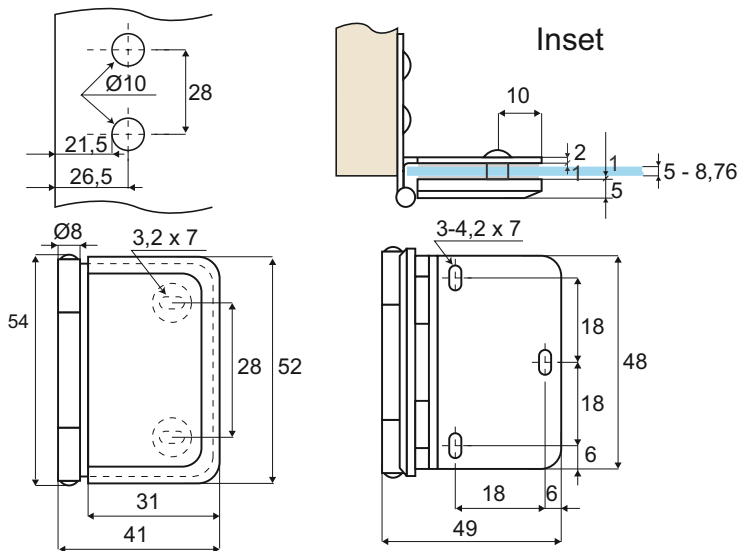
Max door weight:

6 kg per hinge

Function:

Inset or half-overlay
Opening 180°

15.06.470	високо рамо	32,58 лв
15.06.471	средно рамо	30,17 лв



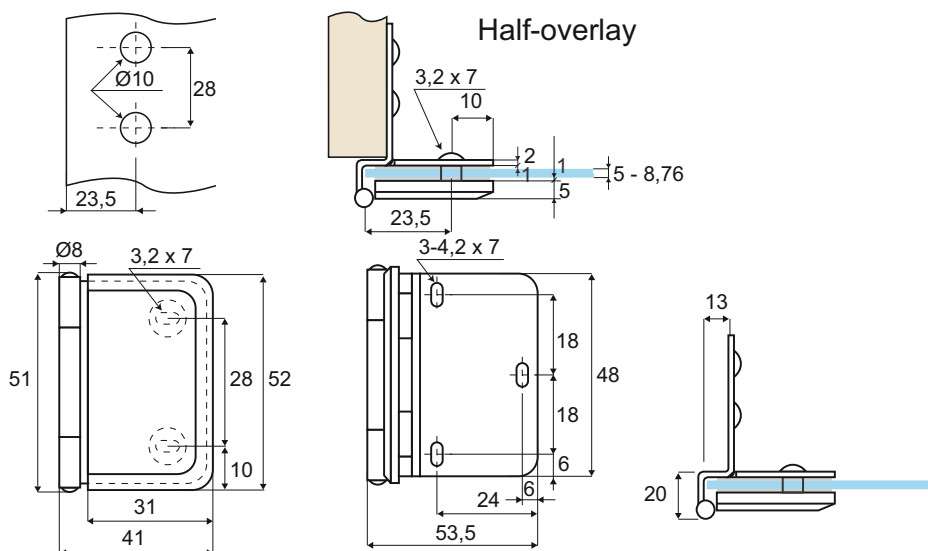
Each hinge is supplied with 2 white cushions 1 mm thickness



Inset



Half-overlay



GLASS DOOR HINGES - NO DRILLING

GLASS DOOR HINGE D-13/2 TOP & BOTTOM

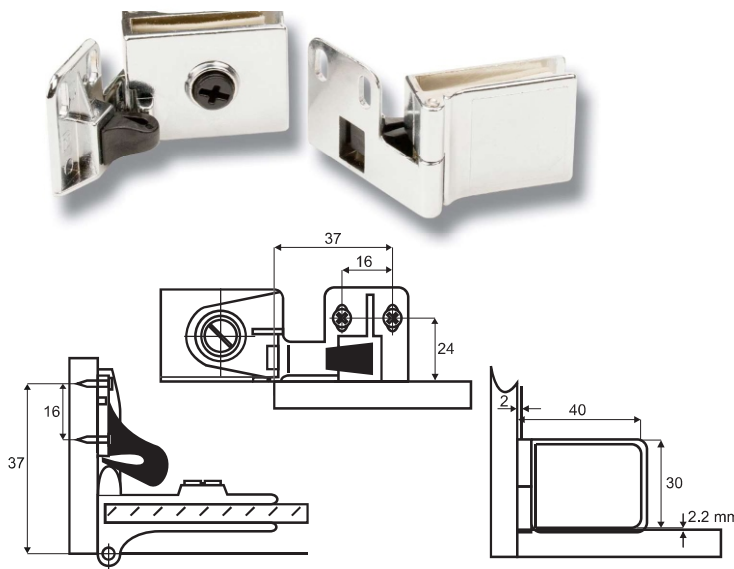
Function:
For inset doors. W/catch function.
Top & Bottom. Sparkled front plate.

Mounting:
W/plastics screws w/soft tip & pad.

Material: Zamak
Size: 40 x 30 mm
Glass thickness: 5 - 6 mm

Item No.:

15.06.102	хром	13,79 лв
-----------	------	----------



GLASS DOOR HINGE D-16 TOP & BOTTOM

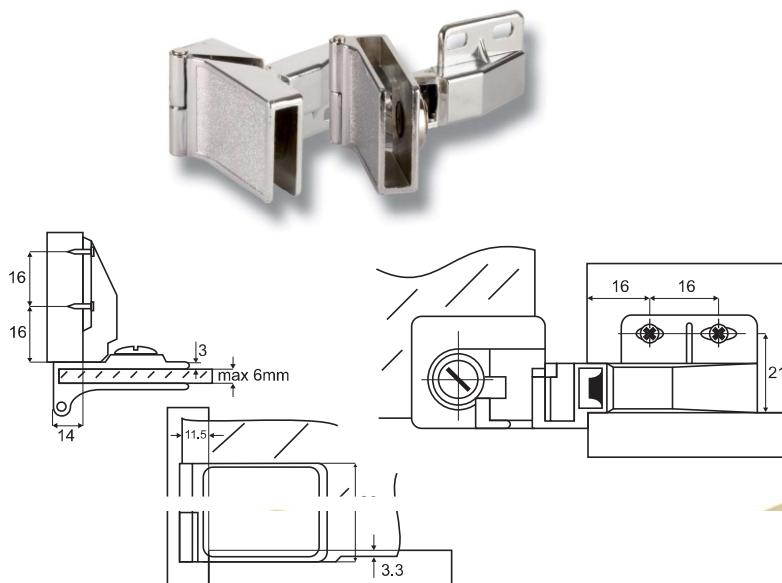
Function:
For overlay doors. W/catch function.
Top & Bottom. Sparkled front plate.

Mounting:
W/plastics screws & foam pad.

Material: Zamak
Size: 40 x 30 mm
Glass thickness: 5 - 6 mm

Item No.:

15.06.415	хром	14,44 лв
-----------	------	----------



GLASS DOOR HINGE C-13 CENTRE

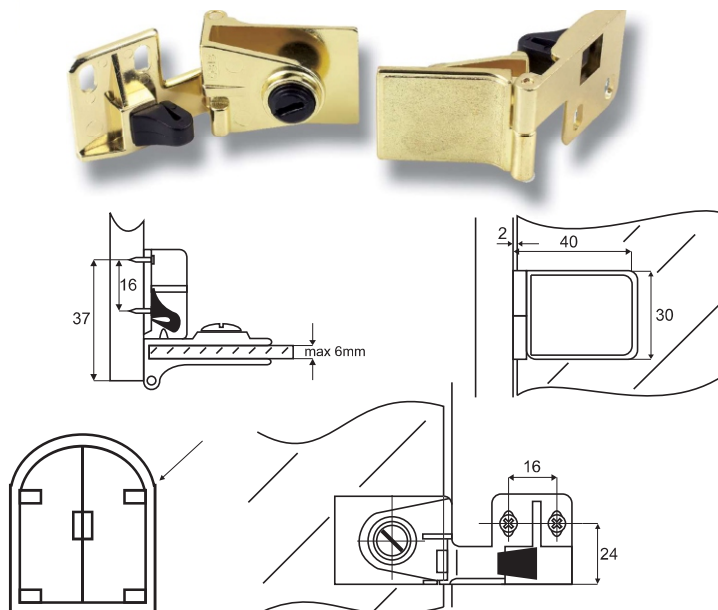
Function:
For inset doors. W/catch function. Centre- or top
fixation if roundend doors. Sparkled front plate.

Mounting:
W/plastics screws w/soft tip & pad.

Material: Zamak
Size: 40 x 30 mm
Glass thickness: 5 - 6 mm

Item No.:

15.06.311	хром	5,70 лв
-----------	------	---------



LIFT-OFF BUTT HINGE SS-304 FOR UV-GLUE

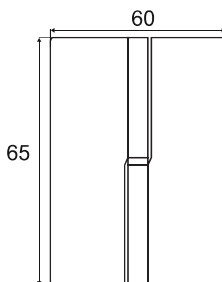
Mounting: By UV-glue B 682-0 from Bohle.
UV-lamp is needed

Material: 2,5 mm stainless steel 304 - polished

Hinge size: 65 X 50 mm (H/W)

Function: Inset doors
Max door width 500 mm
Load capacity: 7,5 KG per pair
Opening angle 270°
Glass thickness: 4-8 mm

15.13.590	дясна	14,26 лв
15.13.600	лява	14,26 лв



BUTT HINGE SS-304 FOR UV-GLUE

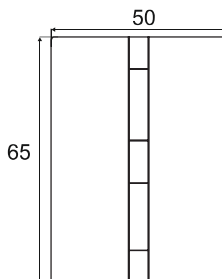
Mounting: By UV-glue B 682-0 from Bohle.
UV-lamp is needed

Material: 2 mm stainless steel 304 - polished

Hinge size: 65 x 50 mm (H/W)

Function: Inset doors
Max door width 500 mm
Load capacity: 7,5 KG per pair
Opening angle 270°
Glass thickness: 4-8 mm

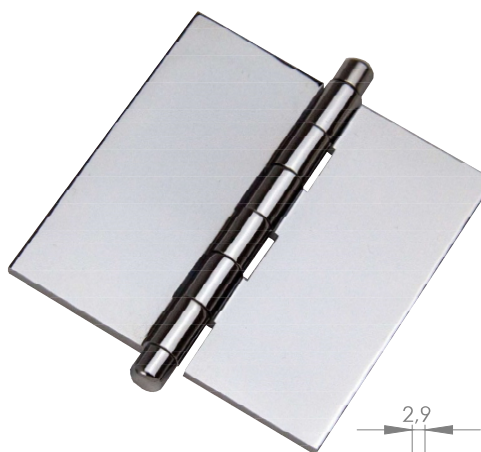
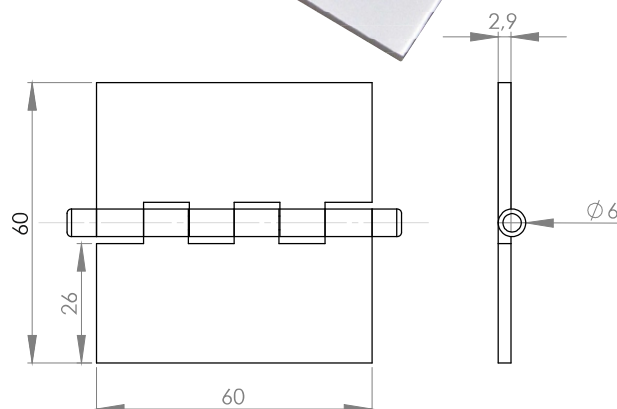
15.13.105	14,26 лв
-----------	----------



BRASS BUTT HINGE FOR UV-GLUE

Mounting:	By UV-glue B 682-0 from Bohle UV-lamp is needed
Material:	2,9 mm Brass - Chrome Plated
Hinge size:	60 x 60 mm (H/W)
Function:	Inset doors Max door width 500 mm
Load Capacity:	7,5 Kg per pair
Opening:	270°
Glass thickness:	4-8 mm
Finish:	Chrome Plated (CPL) # 15.13.110 SS-Look (nickel brushed) # 15.13.111

#15.13.110 - 33,07 лв с ДДС



GLASS DOOR HINGE FOR UV-GLUE

PIVOT HINGE SS-304 FOR UV-GLUE

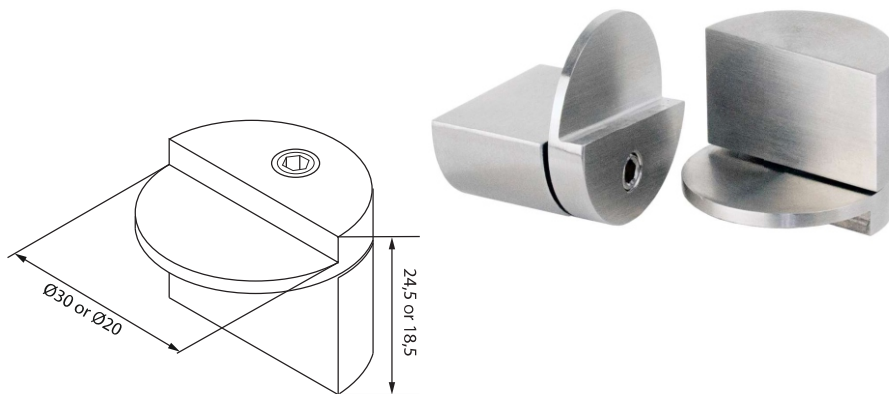
Mounting: By UV-glue B 682-0 from Bohle.
UV-lamp is needed

Material: Brushed SS-304

Function: Pivot hinge for UV-glue, max. 12 mm glass thickness, max load cap- 10 Kg.
A threaded pin in the hinge allows the door to be removed after gluing

Item No:
Pivot hinge Ø20 mm # 15.06.015

15.06.016	ф30 мм	42,64 лв
-----------	--------	----------



PIVOT HINGE SS-304 FOR UV-GLUE

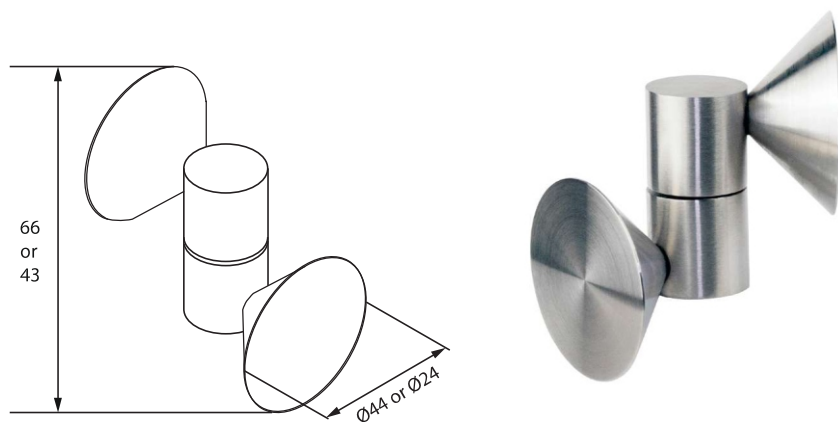
Mounting: By UV-glue B 682-0 from Bohle.
UV-lamp is needed

Material: Brushed SS-304

Function: Pivot hinge for UV-glue, max. 10 mm glass thickness, 180 degree. max load cap. 5 Kg. pr hinge.
A threaded pin in the hinge allows the door to be removed after gluing

Item No:
Pivot hinge Ø44 mm. # 15.06.011

15.06.010	ф24 мм	28,00 лв
-----------	--------	----------



MAGNETIC CATCH FOR UV-GLUE, SS-304

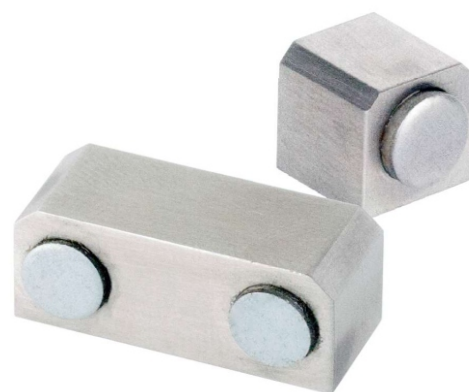
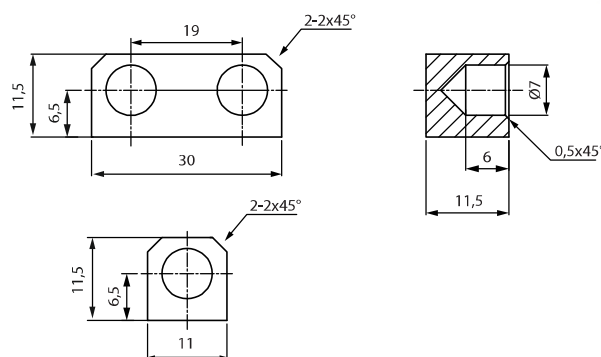
Mounting: By UV-glue B 682-0 from Bohle.
UV-lamp is needed

Material: Brushed SS-304

Function: Magnetic catch for UV-glue, magnetic locking force 2 Kg.

Item No:
Magnetic catch 30x12x12 mm. # 22.01.140
Magnetic catch 11x12x12 mm. # 22.01.145

22.01.140	двоен	23,60 лв
22.01.145	единичен	17,20 лв



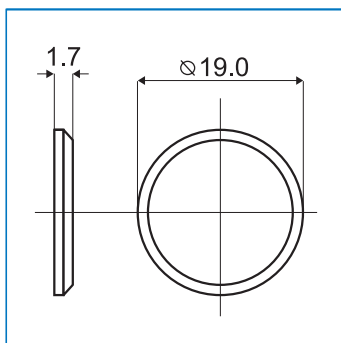
MIRROR SCREWS W/CAP

ROUND STRIKER - SELF ADHESIVE

For Rigid Fixation
- Stick On Type

Material: Steel
Nikel plated
Diameter: Ø 19 mm

22.01.118
0,53 лв с ДДС



MIRROR OR GLASS CLIP

Application:

For safe mounting of mirrors or other glass panels of 4 mm thickness.

Material:

Plastic transparent

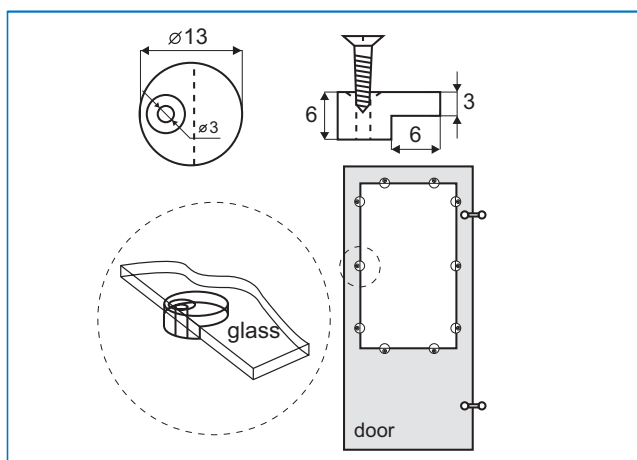
Screw holes: Ø3 mm

Item No.: # 22.05.200

0,20 лв с ДДС

Option:

Also available for other glass thickness upon special request or inquiry.
Other colour available.



MIRROR CLIPS W/SPRING

Приложение:

За монтаж на огледала.
Без разпробиване на стъклото.

Състои се от:

2 пружинни горни скоби
& 2 фиксирани долни скоби.

Дебелина на стъклото: 5 - 6 mm

Отвори за винтове: Ø5 mm

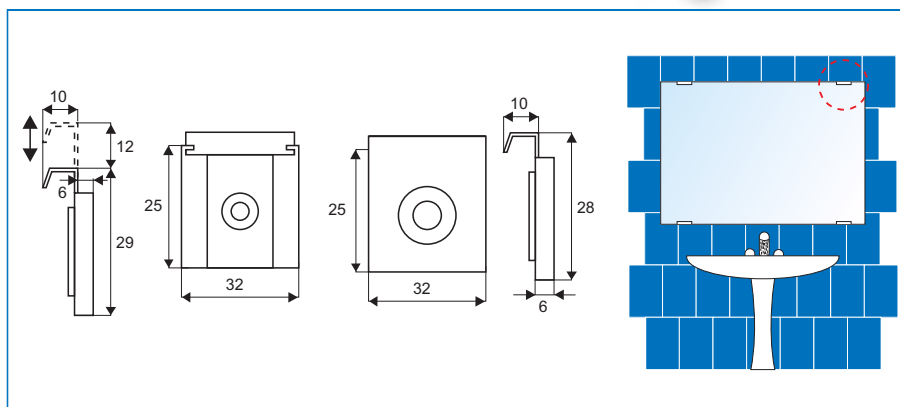
Финиш:

Стомана никелирана # 22.05.100
Stainless steel 304 **6,48 лв с ДДС**

Пакетиране:

400 комплекта в кашон

Винтове и дюбели



SIGNBOARD SCREWS



Application

Mounting of signboards, mirrors etc.

Материал

Месинг

Монтаж

ø4 mm отвор за винт

ø 25 x 25 mm

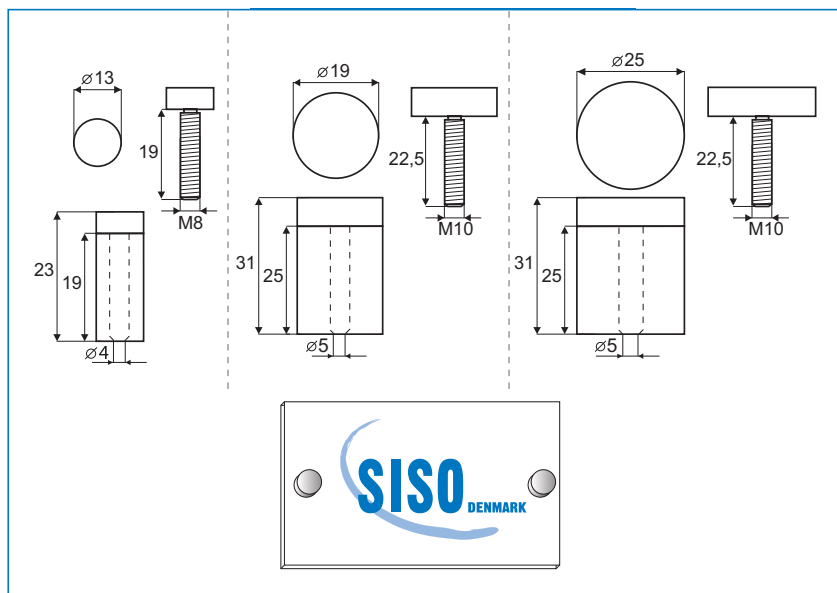
Дебелина панел: 2 - 15 mm

Хром, код

22.11.100

12,50 лв с ДДС

All signboard screws are supplied w/2 transparent washers



SIGNBOARD HOLDERS



Application

Mounting of signboards, mirrors etc.

Material

Brass

Mounting

ø4 mm screw hole

ø 30 x 20 mm

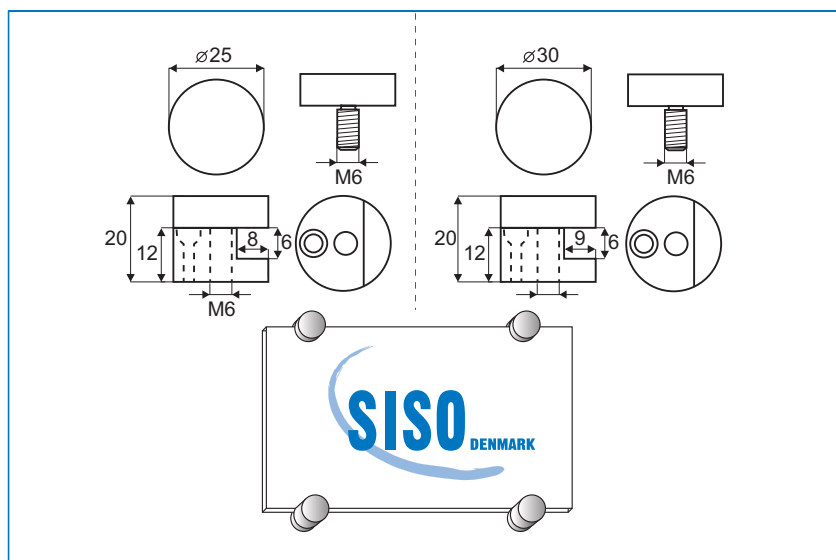
Panel thickness:

6 mm

Chrome plated

22.11.210

20,30 лв с ДДС



SIGNBOARD SCREWS "ALU"

Application

Mounting of signboards, mirrors etc.

Material

Aluminium

Mounting

ø 4 mm screw hole



ø 19 x 25 mm

Panel thickness: **2 - 12 mm**

Anodized

22.11.130

7,10 лв с ДДС

Black

22.11.134

7,50 лв с ДДС

ø 25 x 30 mm

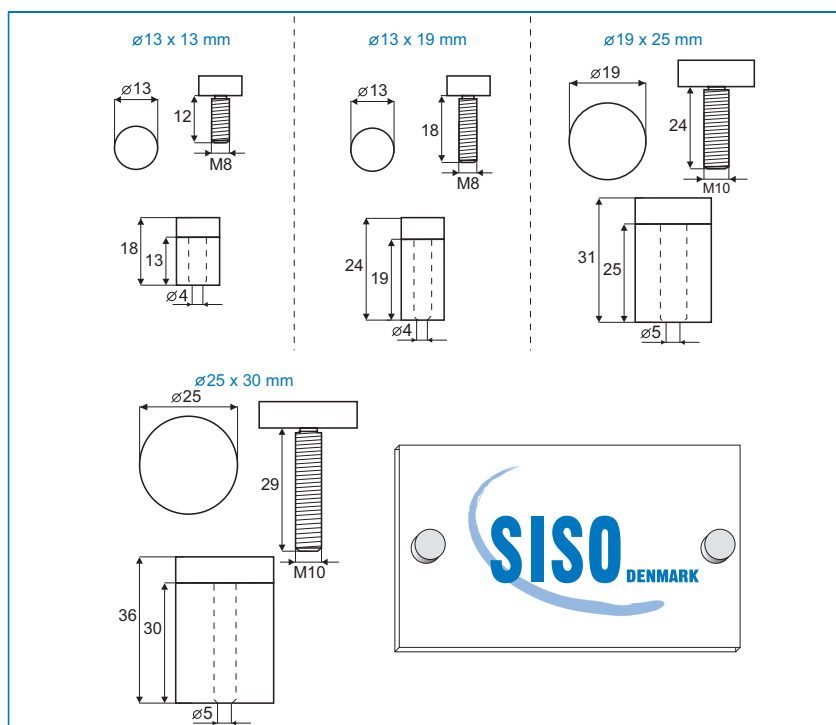
Panel thickness: **2 - 12 mm**

Alu polished

22.11.145

11,26 лв с ДДС

All signboard screws are supplied w/2 transparent washers



SIGNBOARD SCREW "SS" W/CSK HEAD

Application

Mounting of signboards, mirrors etc.

Features

Counter sunk head with snake eyes

Material

Stainless steel 304

Mounting

8 x 14 mm screw hole



ø 32 x 28 mm

Panel thickness: **8 - 12 mm**

SS 304

22.11.152

36,50 лв с ДДС

All signboard screws are supplied with black plastic washers

